

Rosemount™ 2090F Hygienic Pressure Transmitter



Marketing blurb

- Conforms to 3-A™ Sanitary Standards
- Features CIP/SIP service for process temperatures up to 284 °F (140 °C)
- Absolute or gage pressure ranges up to 300 psi
- Utilizes Rosemount solid-state, polysilicon sensor for industry leading reliability and performance

Accurate, stable, and reliable pressure measurement for the hygienic industries

Conforms to 3-A Sanitary Standards

The hygienic design of the Rosemount 2090F conforms to 3-A Sanitary Standards, and is USDA accepted. The materials of construction are Generally Recognized As Safe (GRAS) by the FDA, making it the ideal choice for any hygienic application.

Features CIP/SIP service with an upper temperature limit of 284 °F (140 °C)

The Rosemount 2090F provides accurate, stable, and reliable pressure measurement, which makes it an ideal choice for pharmaceutical and food and beverage applications, including CIP/SIP service for process temperatures up to 284 °F (140 °C).

Absolute or gauge pressure ranges up to 300 psi and 20:1 turndown

Higher turndown allows for lower inventories by allowing you to measure pressures from 1.5 to 300 psi with only three transmitter ranges.

Mounts with either 1 1/2 or 2-in. Tri Clamp connection

The Rosemount 2090F is available with both 1 1/2 and 2-in. Tri Clamp process connections, designed for sanitary applications to easily connect to standard sanitary fittings without requiring special mounting hardware.

0.10 percent reference accuracy performance with P8 high accuracy option

The single-filled sensor system of the Rosemount 2090F leads to outstanding accuracy due to full sensor compensation.

Contents

Accurate, stable, and reliable pressure measurement for the hygienic industries.....	2
Ordering information.....	3
Specifications.....	6
Product Certifications.....	9
Dimensional drawings.....	16

Ordering information

Specification and selection of product materials, options, or components must be made by the purchaser of the equipment. See [Material selection](#) for more information on Material Selection.

Table 1: Rosemount 2090F Pressure Transmitter Ordering Information

The starred offerings (★) represent the most common options and should be selected for best delivery. The non-starred offerings are subject to additional delivery lead time.

Model	Product Description			
2090F	Hygienic Pressure Transmitter			
Transmitter Type				
A	Absolute			★
G	Gage			★
Pressure ranges (range/minimum span)				
	Rosemount 2090FG		Rosemount 2090FA	
1	-14.7 to 30 psi/1.5 psi (-1,01 to 2,1 bar/103 mbar)		0 to 30 psia/1.5 psi (0 to 2,1 bar/103 mbar)	★
2	-14.7 to 150 psi/7.5 psi (-1,01 to 10,3 bar/517 mbar)		0 to 150 psia/7.5 psi (0 to 10,3 bar/517 mbar)	★
3	-14.7 to 300 psi/40 psi (-1.01 to 20,7 bar/2,8 bar)		0 to 300 psia/40 psi (0 to 20,7 bar/2,8 bar)	★
Output				
S	4–20 mA dc/digital HART® Protocol			★
Material of Construction				
	Process connection	Isolating diaphragm	Oil fill	
2D	316L SST (Stainless Steel)	316L SST	Neobee®	★
Process Connection				
E	1 1/2-in. Tri Clamp connection			★
F	2-in. Tri Clamp connection			★
Conduit Entry				
1	1/2–14 NPT			★
2	M20 3 1.5 female			★
Options (include with selected model number)				
Extended Product Warranty				
WR3	3-year limited warranty			★
WR5	5-year limited warranty			★
Digital Display				
M5	LCD display, configured for percent of range			★
Mounting Brackets				
B4	SST mounting bracket with SST bolts			★
Product Certifications				
E5	USA Explosionproof (XP) and Dust-Ignitionproof (DIP)			★

Table 1: Rosemount 2090F Pressure Transmitter Ordering Information (continued)

ED	ATEX Flameproof	★
EM	Technical Regulations Customs Union (EAC) Flameproof	★
I5	USA Intrinsic Safety (IS) and Nonincendive (NI)	★
K5	USA Explosionproof (XP), Dust-Ignitionproof (DIP), Intrinsic Safety (IS), and Nonincendive (NI)	★
I1	ATEX Intrinsic Safety	★
N1	ATEX Type n	★
C6	Canada Explosionproof, Intrinsic Safety, Division 2, and Dust-Ignitionproof	★
KB	USA Explosionproof, Dust-Ignitionproof, Intrinsic Safety, Nonincendive and Canada Explosionproof, Intrinsic Safety, Division 2, and Dust-Ignitionproof	★
KM	Technical Regulation Customs Union (EAC) Flameproof and Intrinsic Safety	★
KH	ATEX Flameproof, Intrinsic Safety, USA Explosionproof, Dust-Ignitionproof, Intrinsic Safety, and Nonincendive	★
ND	ATEX Dust	★
NK	IECEx Dust	★
K7	IECEx Flameproof, Dust, Intrinsic Safety, Type n	★
K1	ATEX Flameproof, Dust, Intrinsic Safety, Type n	★
K6	Canada Explosion-Proof, Intrinsic Safety, Division 2, Dust-ignitionproof, and ATEX Flameproof, Intrinsic Safety	★
I3	China Intrinsic Safety	★
IM	Technical Regulation Customs Union (EAC) Intrinsic Safety	★
E3	China Flameproof	★
Terminal Blocks		
T1	Transient protection	★
Special Certificate		
Q4	Calibration certificate	★
Quality calibration certificate traceability certification		
Q8	Material traceability certification per EN 10204 3.1	★
Alarm Limit		
C4	NAMUR alarm and saturation levels, high alarm	★
CN	NAMUR alarm and saturation levels, low alarm	★
Special Procedures		
P2	Cleaning for special service	
Calibration Accuracy		
P8	0.1 percent accuracy to 10:1 turndown	★
Typical Model Number: 2090F G 2 S 2D E 1		

Standard configuration

Unless otherwise specified, transmitter is shipped as follows:

- Engineering units: psi
- 4 mA: 0 psi
- 20 mA: Upper range limit
- Alarm output: high
- LCD display: 0 to 100 percent

Custom configuration

Calibration

Transmitters are factory calibrated to customer's specified range. If calibration is not specified, transmitters are calibrated at maximum range. Calibration is at ambient temperature and pressure.

Tagging

The transmitter will be tagged, at no charge, in accordance with customer requirements. All tags are stainless steel. The standard tag is wired to the transmitter. Tag character height is 1/8-in. (0.318 cm). A permanently attached tag is available upon request.

Accessories

Item description	Part number
Calibration adapter, 1 1/2-in. Use to connect a calibration device to a transmitter.	02088-0197-0011
Calibration adapter, 2-in. Use to connect a calibration device to a transmitter.	02088-0197-0012

Specifications

Functional specifications

Service

Liquid, gas, vapor, and high-viscosity applications

Ranges

Range	Minimum span	Upper (URL)	Lower (LRL)	Lower ⁽¹⁾ (LRL) (gage)
1	1.5 psi (103 mbar)	30 psi (2,1 bar)	0 psia (0 bar)	-14.7 psig (-1,01 bar)
2	7.5 psi (517 mbar)	150 psi (10,3 bar)		
3	40 psi (2,76 bar)	300 psi (20,7 bar)		

(1) Assumes atmospheric pressure of 14.7 psig.

Output

4–20 mA Selectable HART Protocol

Range down

20:1

Load Limitations

Maximum loop resistance is determined by the power supply voltage, as described by the following equation:

Maximum loop resistance = 43.5 (power supply voltage – 10.5)

The Field Communicator requires a minimum loop resistance of 250 Ω for communication.

Power Supply

External power supply required. Transmitter operates on 10.5–42.4 Vdc with no load. Reverse polarity protection is standard.

Overpressure Limits

Range	Overpressure limit ⁽¹⁾
1	120 psi (8,3 bar)
2	300 psi (20,7 bar)
3	600 psi (41,4 bar)

(1) Overpressure limit is dependent on the clamp/pressure adapter or sensor rating (whichever is lower).

Temperature Limits

Process –4 to 284 °F (–20 to 140 °C)

Ambient –4 to 185 °F (–20 to 85 °C)

Storage –22 to 185 °F (–30 to 85 °C)

Process temperatures above 185 °F (85 °C) require lowering the ambient limits by a 1.5:1 ratio:

$$\text{Max. ambient temperature in } ^\circ\text{F} = \frac{85 - (\text{Process Temp} - 185)}{1.5}$$

$$\text{Max. ambient temperature in } ^\circ\text{C} = \frac{85 - (\text{Process Temp} - 85)}{1.5}$$

Humidity Limits

0 to 100 percent relative humidity

Volumetric Displacement

Less than 0.0005 in³ (0,008 cm³)

Turn-on Time

Performance within specifications less than 2.0 seconds after power is applied to the transmitter

Failure Alarm

If self-diagnostics detect a sensor or microprocessor failure, the analog signal is driven either high or low to alert the user. High or low failure mode is user-selectable by a jumper on the transmitter. The values to which the transmitter drives its output in failure mode depend on whether it is factory-configured to standard or NAMUR-compliant operation. The values for each are as follows:

Standard Operation

Linear output: $3.9 \leq I \leq 20.8$

Fail high: $I \geq 21.75 \text{ mA}$

Low: $I \leq 3.75 \text{ mA}$

NAMUR-Compliant Operation

Linear output: $3.8 \leq I \leq 20.5$

Fail high: $I \geq 22.5 \text{ mA}$

Low: $I \leq 3.6 \text{ mA}$

Transmitter Security

Activating the transmitter security function prevents changes to the transmitter configuration, including local zero and span adjustments. Security is activated by an internal jumper.

Performance specifications

Zero-based spans, reference conditions, and 316 SST isolating diaphragm

Reference Accuracy

±0.20 percent of calibrated span. Includes combined effects of linearity, hysteresis, and repeatability.

High accuracy (P8) option:

±0.10 percent of calibrated span to 10:1 turndown

Ambient temperature effect per 50°F (28°C)

±(0.15% URL + 0.15% span) from 1:1 to 20:1

Stability

±0.10 percent of URL for one year, reference stability

Time Response

Total response time 145 ms (Nominal total response time at 75 °F (24 °C) reference conditions.)

Update rate 22 times per second

Vibration Effect

Less than ± 0.1 percent of upper range limit when subjected to vibration of peak to peak constant displacement of 4 mm (5 to 15 Hz) and constant acceleration of 2 g (15 to 150 Hz) and 1 g (150 to 2000 Hz)

Power Supply Effect

Less than ± 0.005 percent of calibrated span per volt

Electromagnetic compatibility (EMC)

Meets all industrial environment requirements of EN61326 and NAMUR NE-21. Maximum deviation < 1% Span during EMC disturbance.

Note

During surge event, device may exceed maximum EMC deviation limit or reset; however, device will self-recover and return to normal operation within specified start-up time.

Mounting Position Effect

Zero shift of up to 5.0 inH₂O (12,4 mbar), which can be calibrated out. No span effect.

Physical specifications

Material selection

Emerson provides a variety of Rosemount product with various product options and configurations including materials of construction that can be expected to perform well in a wide range of applications. The Rosemount product information presented is intended as a guide for the purchaser to make an appropriate selection for the application. It is the purchaser's sole responsibility to make a careful analysis of all process parameters (such as all chemical components, temperature, pressure, flow rate, abrasives, contaminants, etc.), when specifying product, materials, options and components for the particular application. Emerson is not in a position to evaluate or guarantee the compatibility of the process fluid or other process parameters with the product, options, configuration or materials of construction selected.

Electrical Connection

1/2–14 NPT or M20 3 1.5 conduit entry

Process Wetted Parts

Isolating Diaphragm	316L SST
Process Connector	316L SST
Transmissible Spongiform Encephalopathy (TSE) Declaration	Emerson certifies no process wetted components used in this product contain substances of animal origin. Materials used in the production or processing of wetted components for this products meet the requirements stated in EMA/410/01 Rev. 3 and ISO 2242-1:2015. Wetted components in this product are considered free of TSE.

Non-wetted Parts

Electronics Housing	Low-copper aluminum. Enclosures meet NEMA [®] Type 4X, IP66, and IP68 when properly installed.
Paint	Polyurethane
Cover O-rings	Buna-N
Paint	Polyurethane
Fill Fluid	Neobee M-20
Weight	Approximately 2.74 lb (1,24 kg)

Product Certifications

Rev 2.0

European Directive Information

A copy of the EU Declaration of Conformity can be found at the end of the Quick Start Guide. The most recent revision of the EU Declaration of Conformity can be found at Emerson.com/Rosemount.

Ordinary Location Certification

As standard, the transmitter has been examined and tested to determine that the design meets the basic electrical, mechanical, and fire protection requirements by a nationally recognized test laboratory (NRTL) as accredited by the Federal Occupational Safety and Health Administration (OSHA).

North America

E5 USA Explosionproof (XP) and Dust-Ignitionproof (DIP)

Certificate 1015441

Standards FM Class 3600 – 2011, FM Class 3615 – 2006, FM class 3616 – 2011, FM Class 3810 – 2005, ANSI/NEMA 250 – 1991

Markings XP CL I, DIV 1, GP B, C, D; DIP CL II, DIV 1, GP E, F, G; CL III, DIV 1; T5(-50 °C ≤ T_a ≤ +85 °C); Conduit Seal Not Required; Type 4X

I5 USA Intrinsically Safe (IS) and Nonincendive (NI)

Certificate: 1015441

Standards FM Class 3600 – 1998, FM Class 3610 – 2010, FM Class 3611 – 2004, FM Class 3810 – 1989

Markings IS CL I, DIV 1, GP A, B, C, D; CL II, DIV 1, GP E, F, G; Class III T4(-50 °C ≤ T_a ≤ +70 °C); when connected per Rosemount drawing 02088-1024; NI CL 1, DIV 2, GP A, B, C, D; Type 4x

C6 Canada Explosionproof, Intrinsically Safe, and Division 2, and Dust-Ignitionproof

Certificate: 1015441

Standards CAN/CSA C22.2 No. 0-M91 (R2001), CSA Std C22.2 No. 25-1966, CSA Std C22.2 No. 30-M1986, CAN/CSA-C22.2 No. 94-M91, CSA Std C22.2 No. 142-M1987, CAN/CSA-C22.2 No. 157-92, CSA Std C22.2 No. 213-M1987, ANSI-ISA-12.27.01-2003

Markings: Explosionproof for Class I, Division 1, Groups B, C and D; Class II, Groups E, F, and G; Class III; Intrinsically Safe Class I, Division 1 when connected in accordance with Rosemount drawing 02088-1024, Temperature Code T3C; Ex ia; Class I Division 2 Groups A, B, C and D; Type 4X; Factory Sealed

Europe

ED ATEX Flameproof Certificate: KEMA97ATEX2378X

Standards: EN60079-0:2012 + A11:2013, EN60079-1:2014, EN60079-26:2015

Markings: II 1/2 G Ex db IIC T6... T4 Ga/Gb, T6(-60°C ≤ T_a ≤ +70 °C), T4/T5(-60 °C ≤ T_a ≤ +80 °C)

Special Condition for Safe Use (X):

1. This device contains a thin wall diaphragm. Installation, maintenance and use shall take into account the environmental conditions to which the diaphragm will be subjected. The manufacturer's instructions for installation and maintenance shall be followed in detail to assure safety during its expected lifetime.
2. Flameproof joints are not intended for repair.
3. Non-standard paint options may cause risk from electrostatic discharge. Avoid installations that could cause electrostatic build-up on painted surfaces, and only clean the painted surfaces with a damp cloth. If paint is ordered through a special option code, contact the manufacturer for more information.

I1 ATEX Intrinsic Safety

Certificate: BAS00ATEX1166X

Standards: EN60079-0:2012+A11:2013, EN60079-11:2012

Markings II 1 G Ex ia IIC T4 Ga (-55 °C ≤ T_a ≤ +70 °C)

Table 2: Input Parameters

Parameter	HART
Voltage U _i	30 V
Current I _i	200 mA
Power P _i	0.9 W
Capacitance C _i	0.012 μF

Special Condition for Safe Use (X):

1. The apparatus is not capable of withstanding the 500 V insulation test required by EN60079-11. This must be taken into account when installing the apparatus.
2. The enclosure may be made of aluminum alloy and given a protective polyurethane paint finish; however, care should be taken to protect it from impact or abrasion if located in a Zone 0 environment.

N1 ATEX Type n

Certificate: BAS00ATEX3167X

Standards: EN60079-0:2012+A11:2013, EN60079-15:2010

Markings: Ⓢ II 3 G Ex nA IIC T5 Gc (-55 °C ≤ T_a ≤ +70 °C)

Special Condition for Safe Use (X):

1. When fitted with a transient suppression terminal block, the equipment is not capable of withstanding the 500 V insulation test that is required by EN60079-15. This must be taken into account when installing the apparatus.

ND ATEX Dust

Certificate: BAS01ATEX1427X

Standards: EN60079-0:2012+A11:2013, EN60079-31:2009

Markings: Ⓢ II 1 D Ex t IIIC T 50 °C T₅₀₀ 60 °C Da

Special Conditions for Safe Use (X):

1. Cable entries must be used which maintain the ingress protection of the enclosure to at least IP66.

2. Unused cable entries must be filled with suitable blanking plugs which maintain the ingress protection of the enclosure to at least IP66.
3. Cable entries and blanking plugs must be suitable for the ambient range of the apparatus and capable of withstanding a 7 J impact test.

International

K7 Combination

IECEX Flameproof

Certificate: IECEx KEM 06.0021X
Standards: IEC60079-0:2011, IEC60079-1:2014, IEC60079-26:2014
Markings: Ex db IIC T6...T4 Ga/Gb, T6(-60 °C ≤ T_a ≤ +70 °C), T4/T5(-60 °C ≤ T_a ≤ +80 °C);

Special Conditions for Safe Use (X):

1. The device contains a thin wall diaphragm less than 1 mm thickness that forms a boundary between EPL Ga (process connection) and EPL Gb (all other parts of the equipment). The model code and datasheet are to be consulted for details of the diaphragm material. Installation, maintenance and use shall take into account the environmental conditions to which the diaphragm shall be subjected. The manufacturer's instructions for installation and maintenance shall be followed in detail to assure safety during its expected lifetime.
2. Flameproof joints are not intended for repair.
3. Non-standard paint options may cause risk from electrostatic discharge. Avoid installations that could cause electrostatic build-up on painted surfaces, and only clean the painted surfaces with a damp cloth. If paint is ordered through a special option code, contact the manufacturer for more information.

IECEX Dust: see Approval Option NK

IECEX Intrinsic Safety

Certificate: IECEx BAS 12.0071X
Standards: IEC60079-0:2011, IEC60079-11:2011
Markings: Ex ia IIC T4 Ga (-55 °C ≤ T_a ≤ +70 °C),

Table 3: Input Parameters

Parameter	HART
Voltage U _i	30 V
Current I _i	200 mA
Power P _i	0.9 W
Capacitance C _i	0.012 μF

Special Conditions for Safe Use (X):

1. When fitted with a transient suppression terminal block, the Rosemount 2090 is incapable of passing the 500 V isolation test. This must be taken into account during installation.
2. The enclosure may be made of aluminum alloy and given a protective polyurethane paint finish; however, care should be taken to protect it from impact or abrasion if located in a Zone 0 environment.

IECEX Type n

Certificate:	IECEX BAS 12.0072X
Standards:	IEC60079-0:2011, IEC60079-15:2010
Markings:	Ex nA IIC T5 Gc ($-40\text{ °C} \leq T_a \leq +70\text{ °C}$)

Special Conditions for Safe Use (X):

1. When fitted with a transient suppression terminal block, the device is incapable of passing the 500 V isolation test. This must be taken into account during installation.

NK IECEX Dust

Certificate:	IECEX BAS12.0073X
Standards:	IEC60079-0:2011, IEC60079-31:2008
Markings:	Ex t IIIC T 50 °C T ₅₀₀ 60 °C Da

Table 4: Input Parameters

Parameter	HART
Voltage U_i	36 Vdc
Current I_i	24 mA

Special Conditions for Safe Use (X):

1. Cable entries must be used which mention the ingress protection of the enclosure to at least IP66.
2. Unused cable entries must be filled with suitable blanking plugs which maintain the ingress protection of the enclosure to at least IP66.
3. Cable entries and blanking plugs must be suitable for the ambient range of the apparatus and capable of withstanding a 7 J impact test.

China

E3 China Flameproof

Certificate:	GYJ15.1506X
Standards:	GB3836.1-2010, GB3836.2-2010
Markings:	Ex d IIC T6/T4 Gb, T6($-20\text{ °C} \leq T_a \leq +40\text{ °C}$), T4($-20\text{ °C} \leq T_a \leq +80\text{ °C}$)

Special Conditions for Safe Use (X):

1. The ambient temperature is as follows:

T_a	Temperature class
$-20\text{ °C} \leq T_a \leq 80\text{ °C}$	T4
$-20\text{ °C} \leq T_a \leq 40\text{ °C}$	T6

2. The earth connection facility in the enclosure should be connected reliably.
3. During installation in hazardous location, cable glands, conduits, and blanking plugs, certified by state-appointed inspection bodies with Ex d IIC type of protection, should be used.

4. During installation, use and maintenance in explosive gas atmospheres, observe the warning “Do not open when energized.”
5. During installation, there should be no mixture harm to flameproof housing.
6. End user is not permitted to change any components insides, but to settle the problem in conjunction with manufacturer to avoid damage to the product.
7. Maintenance should be done in non-hazardous location.
8. During installation, use and maintenance of this product, observe the following standards: GB3836.13-2013, GB3836.15-2000, GB3836.16-2006, GB50257-2014.

I3 China Intrinsic Safety

Certificate: GYJ15.1508X
Standards: GB3836.1-2010, GB3836.4-2010, GB3836.20-2010
Markings: Ex ia IIC T4 Ga

Special Conditions for Safe Use (X):

1. The enclosure may be made of aluminum alloy and given a protective polyurethane paint finish; however, care should be taken to protect it from impact or abrasion if located in a zone 0 environment.
2. This apparatus is not capable of withstanding the 500 V r.m.s. insulation test required by Clause 6.3.12 of GB3836.4-2010.
3. The ambient temperature is:

T _a	Temperature class
-55 °C ≤ T _a ≤ 70 °C	T4

4. Intrinsically safe parameters:

Parameter	HART
Voltage U _i	30 V
Current I _i	200 mA
Power P _i	0.9 W
Capacitance C _i	0.012 μF
Inductance L _i	0 mH

5. The product should be used with Ex-certified linear associated apparatus to establish explosion protection system that can be used in explosive gas atmospheres. Wiring and terminals should comply with the instruction manual of the product and associated apparatus.
6. The cables between this product and associated apparatus should be shielded cables (the cables must have insulated shields). The shield has to be grounded reliably in a non-hazardous area.
7. End users are not permitted to change any internal components, but to settle the problem in conjunction with the manufacturer to avoid damage to the product.
8. During installation, use and maintenance of this product, observe the following standards: GB3836.13-2013, GB3836.15-2000, GB3836.16-2006, G3836.18-2010, GB50257-2014.

Technical Regulations Customs Union (EAC)

EM EAC Flameproof

Markings: Ga/Gb Ex db IIC T4...T6 X, T4/T5 (-60 °C ≤ T_a ≤ +80 °C), T6 (-60 °C ≤ T_a ≤ +70 °C)

Special Condition for Safe Use (X):

See certificate for special conditions.

IM EAC Intrinsically Safe

Markings: 0Ex ia IIC T4 Ga X (-55 °C ≤ T_a ≤ +70 °C)

Special Conditions for Safe Use (X):

See certificate for special conditions.

Combinations

K1 Combination of ED, I1, ND, and N1

K5 Combination of E5 and I5

K6 Combination of C6, ED, and I1

KB Combination of K5 and C6

KM Combination of EM and IM

KH Combination of ED, I1, and K5

Conduit plugs and adapters

IECEx Flameproof and Increased Safety

Certificate: IECEx FMG 13.0032X

Standards: IEC60079-0:2011, IEC60079-1:2007-04, IEC60079-7:2006-07

Markings: Ex de IIC Gb

ATEX Flameproof and Increased Safety

Certificate: FM13ATEX0076X

Standards: EN60079-0:2012, EN60079-1:2007, EN60079-7:2007

Markings: II 2 G Ex de IIC Gb

Table 5: Conduit Plug Thread Sizes

Thread	Identification mark
M20 × 1.5	M20
1/2-14 NPT	1/2 NPT
G1/2A	G1/2

Table 6: Thread Adapter Thread Sizes

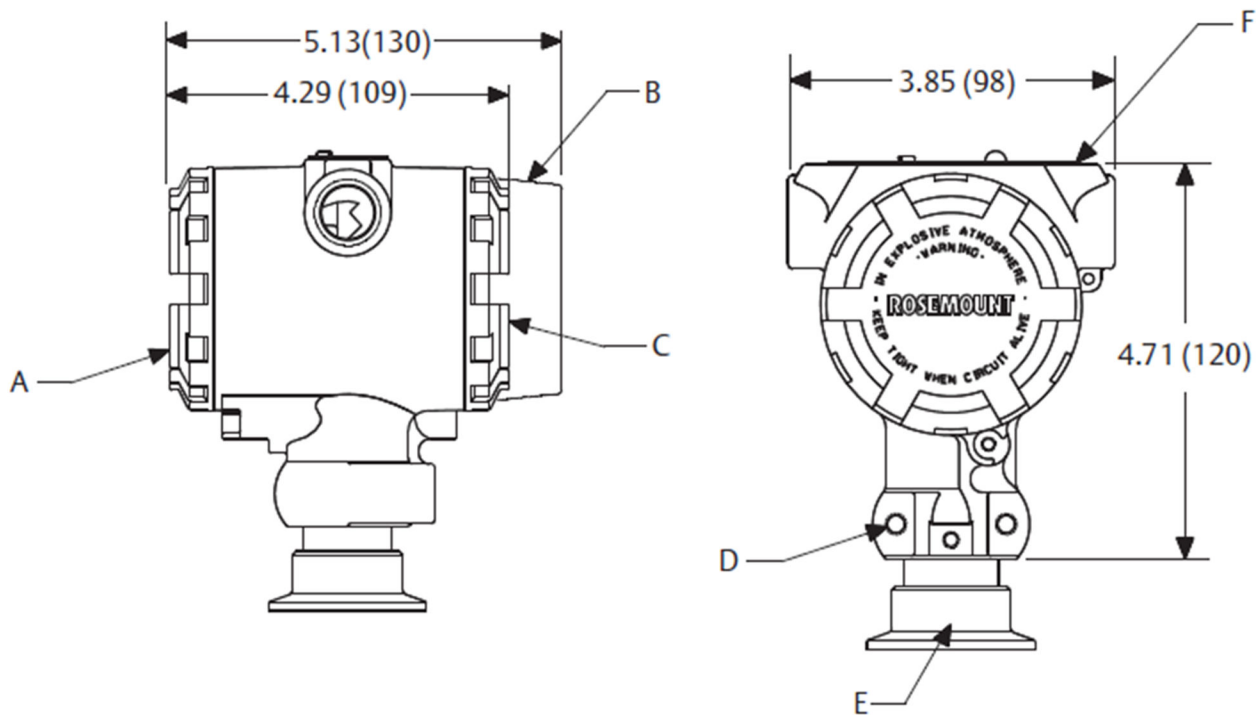
Male thread	Identification mark
M20 × 1.5 – 6H	M20
1/2–14 NPT	1/2–14 NPT
3/4–14 NPT	3/4–14 NPT
Female thread	Identification mark
M20 × 1.5 – 6H	M20
1/2–14 NPT	1/2–14 NPT
PG 13.5	PG 13.5

Special Conditions for Safe Use (X):

1. When the thread adapter or blanking plug is used with an enclosure in type of protection increased safety “e” the entry thread shall be suitably sealed in order to maintain the ingress protection rating (IP) of the enclosure.
2. The blanking plug shall not be used with an adapter.
3. Blanking Plug and Threaded Adapter shall be either NPT or Metric thread forms. G1/2 and PG 13.5 thread forms are only acceptable for existing (legacy) equipment installations.

Dimensional drawings

Figure 1: Rosemount 2090F



- A. Terminal connection side
- B. Optional display
- C. Transmitter circuitry side
- D. 2 X 1/4-20 UNC-2BX depth 0.60 mounting holes
- E. 1 1/2- or 2-in. Tri Clamp connection
- F. Certification tag

Note

M20 X 1.5 female is also available as option.

Dimensions are in inches (millimeters).

Global Headquarters

Emerson Automation Solutions
6021 Innovation Blvd.
Shakopee, MN 55379, USA

+1 800 999 9307 or +1 952 906 8888

+1 952 204 8889

RFQ.RMD-RCC@Emerson.com

North America Regional Office

Emerson Automation Solutions
8200 Market Blvd.
Chanhassen, MN 55317, USA

+1 800 999 9307 or +1 952 906 8888

+1 952 204 8889

RMT-NA.RCCRFQ@Emerson.com

Latin America Regional Office

Emerson Automation Solutions
1300 Concord Terrace, Suite 400
Sunrise, FL 33323, USA

+1 954 846 5030

+1 954 846 5121

RFQ.RMD-RCC@Emerson.com

Europe Regional Office

Emerson Automation Solutions Europe
GmbH
Neuhofstrasse 19a P.O. Box 1046
CH 6340 Baar
Switzerland

+41 (0) 41 768 6111

+41 (0) 41 768 6300

RFQ.RMD-RCC@Emerson.com

Asia Pacific Regional Office

Emerson Automation Solutions
1 Pandan Crescent
Singapore 128461

+65 6777 8211

+65 6777 0947

Enquiries@AP.Emerson.com

Middle East and Africa Regional Office


Emerson Automation Solutions
Emerson FZE P.O. Box 17033
Jebel Ali Free Zone - South 2
Dubai, United Arab Emirates

+971 4 8118100


+971 4 8865465

RFQ.RMTMEA@Emerson.com

 [Linkedin.com/company/Emerson-Automation-Solutions](https://www.linkedin.com/company/Emerson-Automation-Solutions)

 [Twitter.com/Rosemount_News](https://twitter.com/Rosemount_News)

 [Facebook.com/Rosemount](https://www.facebook.com/Rosemount)

 [Youtube.com/user/RosemountMeasurement](https://www.youtube.com/user/RosemountMeasurement)

©2019 Emerson. All rights reserved.

Emerson Terms and Conditions of Sale are available upon request. The Emerson logo is a trademark and service mark of Emerson Electric Co. Rosemount is a mark of one of the Emerson family of companies. All other marks are the property of their respective owners.

